

# Twin-Shaft Batch Mixer (DKX)

## Technical data

Performance data (standard designs)

Type	Dry charge	Compacted concrete output per batch	Maximum compacted concrete output				Standard drive <sup>3)</sup>	Maximum aggregate size	
			Truck mixer discharge <sup>1)</sup>		Open truck discharge <sup>2)</sup>			Quality concrete	Hydro dam concrete <sup>4)</sup>
DKX 0.50	0.75 m <sup>3</sup>	0.5 m <sup>3</sup>	73 cycles/h	37 m <sup>3</sup> /h	73 cycles/h	37 m <sup>3</sup> /h	15 kW	64 mm	–
DKX 0.75	1.13 m <sup>3</sup>	0.75 m <sup>3</sup>	65 cycles/h	49 m <sup>3</sup> /h	65 cycles/h	49 m <sup>3</sup> /h	22 kW	64 mm	–
DKX 1.00	1.5 m <sup>3</sup>	1 m <sup>3</sup>	58 cycles/h	58 m <sup>3</sup> /h	60 cycles/h	60 m <sup>3</sup> /h	37 kW	64 mm	80 mm
DKX 1.25	1.88 m <sup>3</sup>	1.25 m <sup>3</sup>	53 cycles/h	66 m <sup>3</sup> /h	53 cycles/h	66 m <sup>3</sup> /h	45 kW	64 mm	125 mm
DKX 1.67	2.51 m <sup>3</sup>	1.67 m <sup>3</sup>	48 cycles/h	80 m <sup>3</sup> /h	49 cycles/h	82 m <sup>3</sup> /h	55 kW	64 mm	125 mm
DKX 2.00	3 m <sup>3</sup>	2 m <sup>3</sup>	49 cycles/h	98 m <sup>3</sup> /h	53 cycles/h	106 m <sup>3</sup> /h	65 kW	64 mm	150 mm
DKX 2.25	3.38 m <sup>3</sup>	2.25 m <sup>3</sup>	46 cycles/h	104 m <sup>3</sup> /h	50 cycles/h	113 m <sup>3</sup> /h	65 kW	64 mm	150 mm
DKX 2.50	3.75 m <sup>3</sup>	2.5 m <sup>3</sup>	48 cycles/h	120 m <sup>3</sup> /h	56 cycles/h	140 m <sup>3</sup> /h	75 kW	64 mm	150 mm
DKX 2.75	4.13 m <sup>3</sup>	2.75 m <sup>3</sup>	46 cycles/h	127 m <sup>3</sup> /h	55 cycles/h	151 m <sup>3</sup> /h	2 x 45 kW	64 mm	150 mm
DKX 3.00	4.5 m <sup>3</sup>	3 m <sup>3</sup>	44 cycles/h	132 m <sup>3</sup> /h	53 cycles/h	159 m <sup>3</sup> /h	2 x 55 kW	64 mm	150 mm
DKX 3.33	5 m <sup>3</sup>	3.33 m <sup>3</sup>	41 cycles/h	137 m <sup>3</sup> /h	50 cycles/h	167 m <sup>3</sup> /h	2 x 65 kW	64 mm	150 mm
DKX 3.50	5.25 m <sup>3</sup>	3.5 m <sup>3</sup>	42 cycles/h	147 m <sup>3</sup> /h	52 cycles/h	182 m <sup>3</sup> /h	2 x 55 kW	64 mm	160 mm
DKX 4.00	6 m <sup>3</sup>	4 m <sup>3</sup>	39 cycles/h	156 m <sup>3</sup> /h	49 cycles/h	196 m <sup>3</sup> /h	2 x 65 kW	64 mm	160 mm
DKX 4.50	6.75 m <sup>3</sup>	4.5 m <sup>3</sup>	37 cycles/h	167 m <sup>3</sup> /h	51 cycles/h	230 m <sup>3</sup> /h	2 x 75 kW	64 mm	160 mm
DKX 5.00	7.5 m <sup>3</sup>	5 m <sup>3</sup>	35 cycles/h	175 m <sup>3</sup> /h	50 cycles/h	250 m <sup>3</sup> /h	2 x 90 kW	64 mm	160 mm
DKX 6.00	9 m <sup>3</sup>	6 m <sup>3</sup>	31 cycles/h	186 m <sup>3</sup> /h	48 cycles/h	288 m <sup>3</sup> /h	2 x 110 kW	64 mm	160 mm
DKX 7.00	10.5 m <sup>3</sup>	7 m <sup>3</sup>	28 cycles/h	196 m <sup>3</sup> /h	44 cycles/h	308 m <sup>3</sup> /h	4 x 75 kW	64 mm	160 mm
DKX 8.00	12 m <sup>3</sup>	8 m <sup>3</sup>	26 cycles/h	208 m <sup>3</sup> /h	43 cycles/h	344 m <sup>3</sup> /h	4 x 90 kW	64 mm	160 mm
DKX 9.00	13.5 m <sup>3</sup>	9 m <sup>3</sup>	24 cycles/h	216 m <sup>3</sup> /h	43 cycles/h	387 m <sup>3</sup> /h	4 x 110 kW	64 mm	180 mm

<sup>1)</sup> 30 s mixing time, truck mixer input rate of 0.12 m<sup>3</sup>/s (0.16 yd<sup>3</sup>/s) and compactability rate of 1.15.

<sup>2)</sup> 30 s mixing time, compactability rate of 1.45.

<sup>3)</sup> Alternative drive power available on request for other applications.

<sup>4)</sup> For types DKX 1.00 to DKX 4.50 with coarse-grain mixing tools.

Performance data for other materials available on request.

All specifications apply to the standard version.

Technical data for customized designs may differ from the specified data.

All technical data may change due to development.

Subject to modification without notice.

# Twin-Shaft Batch Mixer (DKX)

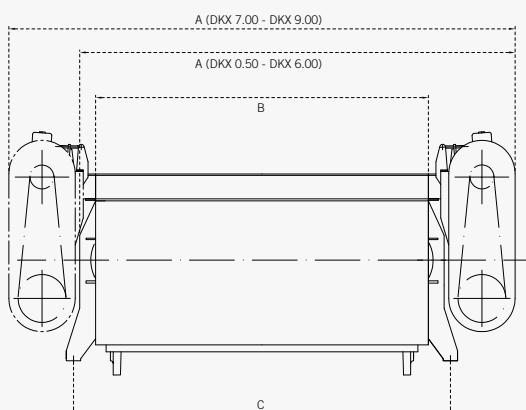
## Technical data

Dimensions and weights (standard designs)

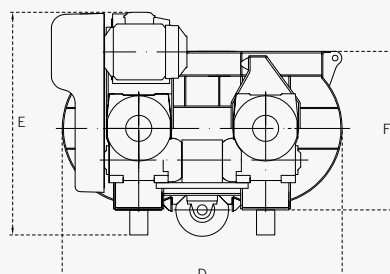
Type	A	B	C	D	E	F	Weight <sup>5)</sup>
DKX 0.50	2,310 mm	1,275 mm	1,655 mm	1,550 mm	1,470 mm	1,000 mm	3,100 kg
DKX 0.75	2,540 mm	1,500 mm	1,880 mm	1,550 mm	1,470 mm	1,000 mm	3,600 kg
DKX 1.00	2,400 mm	1,230 mm	1,570 mm	2,040 mm	1,830 mm	1,200 mm	4,040 kg
DKX 1.25	2,590 mm	1,500 mm	1,840 mm	2,040 mm	1,885 mm	1,200 mm	5,200 kg
DKX 1.67	2,920 mm	1,765 mm	2,105 mm	2,040 mm	1,940 mm	1,200 mm	5,700 kg
DKX 2.00	2,590 mm	1,480 mm	1,900 mm	2,470 mm	2,040 mm	1,400 mm	7,500 kg
DKX 2.25	2,850 mm	1,740 mm	2,160 mm	2,470 mm	2,040 mm	1,400 mm	8,100 kg
DKX 2.50	3,100 mm	1,990 mm	2,410 mm	2,470 mm	2,070 mm	1,400 mm	9,000 kg
DKX 2.75	3,150 mm	1,990 mm	2,410 mm	2,470 mm	2,080 mm	1,400 mm	9,600 kg
DKX 3.00	3,410 mm	2,250 mm	2,670 mm	2,470 mm <sup>6)</sup>	2,080 mm	1,400 mm	10,200 kg
DKX 3.33	3,410 mm	2,250 mm	2,670 mm	2,470 mm	2,110 mm	1,400 mm	10,400 kg
DKX 3.50	3,250 mm	1,995 mm	2,400 mm	2,855 mm	2,320 mm	1,650 mm	13,400 kg
DKX 4.00	3,500 mm	2,255 mm	2,660 mm	2,855 mm	2,320 mm	1,650 mm	14,000 kg
DKX 4.50	4,270 mm	2,510 mm	2,915 mm	2,855 mm	2,400 mm	1,650 mm	14,700 kg
DKX 5.00	4,260 mm	2,410 mm	2,870 mm	3,180 mm	2,760 mm	1,950 mm	22,000 kg
DKX 6.00	4,790 mm	2,940 mm	3,400 mm	3,180 mm	2,800 mm	1,950 mm	24,000 kg
DKX 7.00	5,290 mm	3,475 mm	3,935 mm	3,180 mm	2,590 mm	1,950 mm	29,000 kg
DKX 8.00	5,440 mm	3,475 mm	3,935 mm	3,180 mm	2,800 mm	1,950 mm	34,000 kg
DKX 9.00	5,980 mm	4,010 mm	4,470 mm	3,180 mm	2,800 mm	1,950 mm	37,000 kg

<sup>5)</sup> Weight for standard design without accessories.

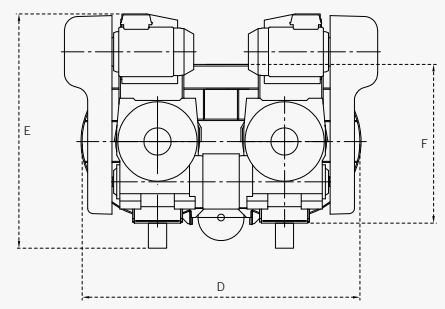
<sup>6)</sup> 2,350 mm for DKX 3.00 in ISO variant.



Type DKX 0.50 - DKX 9.00



Type DKX 0.50 - DKX 2.50



Type DKX 2.75 - DKX 9.00